

### SPECIFICATIONS

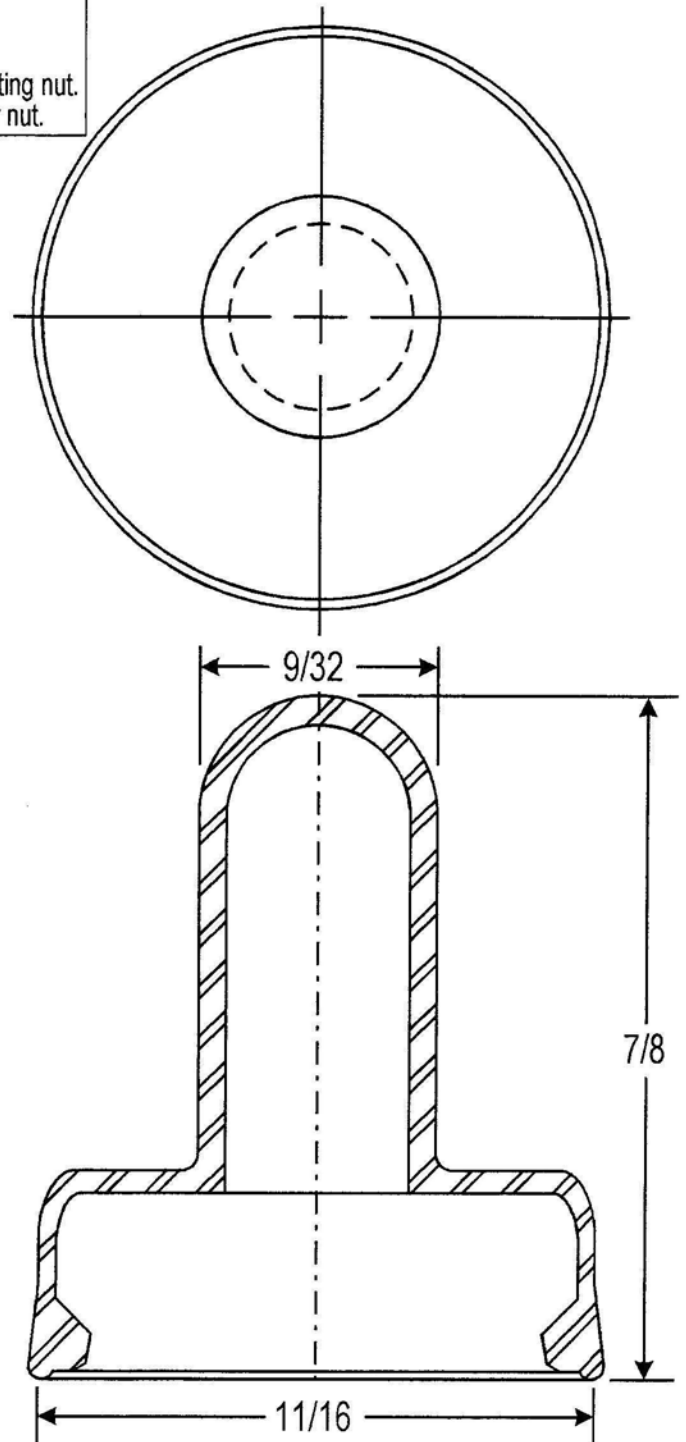
**Material:** Boot: Neoprene.

**Color:** black (other materials and colors available on special order.)

**Temperature Range:** -65°F to +300°F

**Shelf Life:** 2 years.

**Installation:** A. Mount the switch using SNAPSEEL® shouldered mounting nut.  
B. Press SNAPSEEL® over switch actuator and snap over nut.



NOTE: MOUNTING NUT NOT INCLUDED - PURCHASE SEPARATELY IF NEEDED.

C	CAD COMPUTER GENERATED		9/23/02
B	REMOVED TOP OF BOOT, 43/61 WAS 23/32	NK	11-2-72
A	ALTERED SHAPE OF BOOT	T.C.	8-12-69
REV.	DESCRIPTION		DATE
MAXIMUM AND MINIMUM MEASUREMENTS ARE STATED DIRECTLY ON EACH DIMENSION. MAT'L: NEOPRENE		ENG.	
		DWN.	N.K.S. 9-29-67
FINISH: BLACK APM-HEXSEAL CORPORATION		CHKD.	
		SCALE	1111/4
		DWG. NO.	4:1

THIS DRAWING COVERS PROPRIETARY ITEM AND IS THE PROPERTY OF THE APM-HEXSEAL CORPORATION.  
THIS DRAWING IS NOT TO BE COPIED OR USED WITHOUT THE WRITTEN APPROVAL OF AN OFFICER OF THE APM-HEXSEAL CORPORATION.